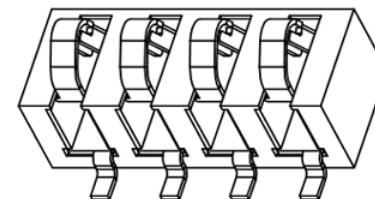
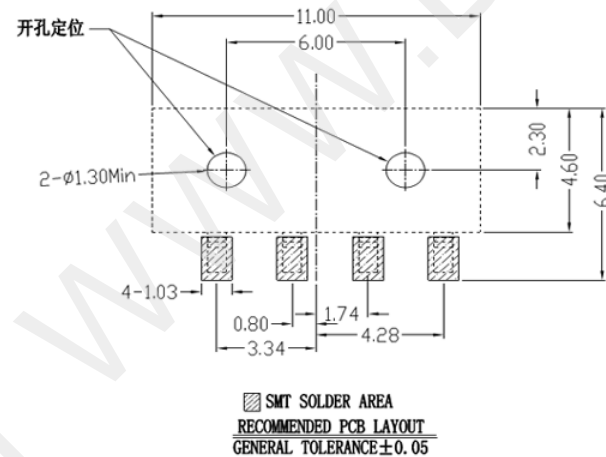



**SPECIFICATIONS:**  
 1.MATERIAL:  
 HOUSING:THERMOPLASTICS LCP  
 COLOR:BLACK  
 TERMINAL:PHOSPROR BRONZE,T=0.2MM  
 2.FINISH:  
 TERMINAL:GOLD PLATED  
 3.PACKING:REEL TAPE



3D示意图

 <b>深圳市华宇创精密电子有限公司</b>			
TOLERANCE: X.X ±0.30 X.XX ±0.25 X.XXX ±0.15 X' ±2' X.X' ±0.5'	DRAWN BY : 陈一鸣	DATE : 2014-02-23	PART NAME: 2.54PH 3.7H 4P 正压电池座 6.0柱
	CHECKED BY: 马跃	DATE : 2014-02-23	PART NO. HYC-BA4P2537D-60
UNIT: mm [inch] SCALE:1:1 SIZE: A4	APPROVED BY: 邱国夷	DATE : 2014-02-23	MOLD NO.
			DRAW NO: HYC-1906051049
			SHEET NO. 1 OF 1